

V O L V O



Volvo Excavators 26.6-31.7 t / 58,620-69,780 lb 225 hp

EC250E

Volvo Construction Equipment



Welcome to our world

Welcome to a world of industry leading machinery. A world where imagination, hard work and technological innovation will lead the way towards developing a future which is cleaner, smarter, and more connected. A world supported by the enduring values of the Volvo Group. A world of stability, sustainability and innovation. A world which we put our customers at the heart of.

Welcome to the world of Volvo Construction Equipment – we think you're going to like it here.

Working harder, working smarter

For over 180 years Volvo has been a pioneer in the design and manufacture of machines which set the standard for efficiency, performance and uptime. Across our range of excavators, wheel loaders and haulers, our reputation for engineering excellence is unrivalled, which means whatever your operation or application, we can provide a total fleet solution to help you succeed.

Building on our proud history, the Volvo Concept Lab continues to create cutting-edge ideas and innovative concepts, to ensure we offer customers machines which work harder and smarter long into the future.



Solutions for you

Our industry leading machines are just the start of your relationship with Volvo. As your partner, we have developed an extensive range of additional solutions to help you improve uptime, boost productivity and reduce costs.

Designed for your business

Structured across nine blocks, our portfolio of products and services are designed to complement your machine's performance and boost your profitability. Simply put, we offer some of the best guarantees, warranties and technological solutions in the industry today.

There when you need us

Whether you're buying new or used, our global network of dealers and technicians offer around-the-clock support, including machine monitoring and world-class parts availability. It's the basis of everything offered by Volvo Services, so you can be confident we've got you covered right from the start.



BUILDING TOMORROW

Giving you more

The new and enhanced EC250E is packed with the latest technology to help you move more, for less. Features including the new Volvo engine, improved hydraulics, flow priority functions and optional Dig Assist apps deliver optimum productivity, efficiency and performance for a lower cost per ton.

More productivity

Get more done in the EC250E thanks to an increase in engine power and improved hydraulic performance which contributes to faster cycle times. Machine productivity is further enhanced by best-in-class stability, new motion priority functions, boom down speed control and improved jack up speed.



More precision

Unlock the full potential of your machine's productivity with Dig Assist, powered by the 10" Volvo Co-Pilot display. Gain access to a set of smart apps, including Start, In-Field Design, 3D software packages, On-Board Weighing and Volvo Active Control, designed to optimize the digging process.



More control

Double your productivity with Volvo Active Control functions. The working day just got easier with automated boom and bucket movements, making the digging process more accurate and twice as fast. Simply set the grade from the Volvo Co-Pilot display, push the button and get to work – all controlled using a single lever.



More responsiveness

With electric control joystick and full electric travel pedals, operators benefit from an improved response time. Machine controllability is enhanced further by Boom/Swing and Boom/Travel priority functions which enable operators to prioritize one function over another. Operators can also easily adjust the boom down speed, ideal for precision tasks which require optimum control.





MORE FUEL EFFICIENCY

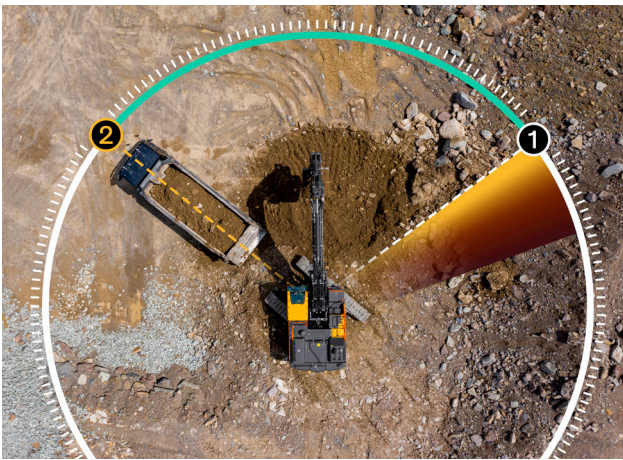
A range of features combine in the EC250E to deliver up to 10% improvement in fuel efficiency. The new D8M Volvo engine reduces rated rpm from 1800 down to 1600, while also delivering a 5% increase in power, and the intelligent new generation electro-hydraulic system provides on-demand flow and reduces internal losses in the hydraulic circuit. Classic Volvo features such as ECO mode and selectable work modes further contribute to outstanding fuel efficiency.

For your comfort and safety

With a host of new and proven features including enhanced machine access, superior visibility, bouncing reduction technology and customizable settings, the upgraded EC250E delivers all the safety and comfort you would expect from your Volvo machine.

Know your limits

With Volvo Active Control, operators can easily set swing fence, height limit and depth limit from the Volvo Co-Pilot. This helps to avoid contact with side obstacles, overhead obstacles such as power lines and underground hazards such as pipes and cables.



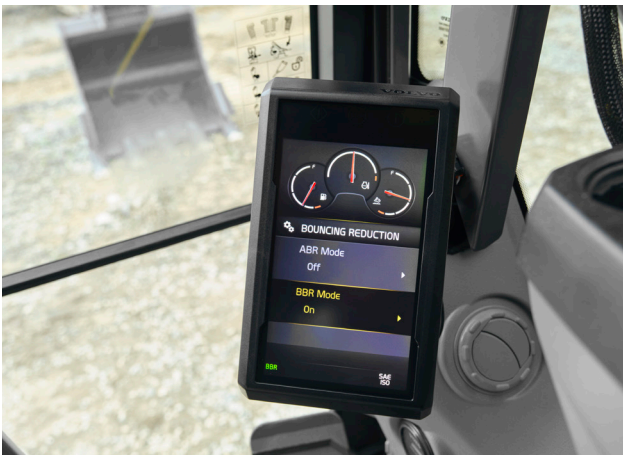
See it all

Operators can work in complete confidence thanks to Volvo Smart View. The system uses front, rear and side cameras to provide a real-time, overhead view of the machine during operation on the colour monitor. The result is safer machine rotation while working, especially in confined spaces.



A smoother shift

New boom and arm bouncing reduction technology reduces machine shock, resulting in a more comfortable and productive operator performance. Comfort Drive Control further helps to reduce fatigue by enabling operators to steer the machine using the joystick rollers instead of the pedals.



How you like it

Get ready for the working day in no time with customizable settings, including preferred control patterns easily selected from the monitor. New 'long push' functionality on the joystick allows operators to set an additional shortcut function, and with the L8 joystick operators can create a shortcut to hydraulic priority functions.





SAFETY, INSIDE AND OUT

Operators can access the upper structure with safety and confidence thanks to the new 3-point right-hand side access. Industry renowned features such as bolted anti-slip steps, high visibility handrails and spacious, ergonomic and low-noise Volvo Care Cab ensure the highest levels of operator comfort and safety.

Boost versatility

Get the most out of your excavator with our range of purpose-built attachments, designed to work in perfect harmony with your machine. Customize your EC250E with quality Volvo attachments, matched to your needs, to form one solid and reliable unit that delivers improved cycle times and increased fuel efficiency.

Buckets of productivity

Volvo buckets are the perfect tool to achieve maximum productivity when digging and re-handling in all conditions. Whether you are working with soft, medium or hard materials, our buckets deliver long life and feature original Volvo wear parts. Heavy-Duty variants provide optimum performance when digging in compact materials.



Take a break

Available with a full range of tools, the hydraulic breakers are designed to be a perfect match for your Volvo. Powered by the machine's constant auxiliary hydraulic flow, the breakers are configured to the specific weights of Volvo machines and are fully compatible with Volvo quick couplers for swift, safe and simple attachment changes.



Dig at any angle

Boost productivity and dig at any angle. Compatibility with Steelwrist®, Engcon® and Rototilt® tiltrotators provides the flexibility needed for precise construction jobs. The factory-fitted tiltrotator preparation system gives you the power to control both the excavator and tiltrotator using the original joysticks, with the information presented on the main display.



Stay cool

A new cooling layout increases hydraulic attachment cooling capacity by 10%, resulting in an improved attachment performance.



Steelwrist® : Steelwrist is a registered trademark of Steelwrist AB / Engcon® : Engcon is a registered trademark of Engcon Holding AB / Rototilt® : Rototilt is a registered trademark of Rototilt Group AB



EASILY ATTACH

Discover our range of Volvo quick couplers, including the new Steelwrist® Auto Connect Quick Coupler – enabling the quick and easy connection of hydraulic attachments from the comfort and safety of the cab. The quick coupler delivers 300 liters per minute of hydraulic flow directly to the attachment.

Lower maintenance costs

Durable by design, the new EC250E is ready to take on the toughest applications. The machine delivers outstanding levels of reliability and with features including engine auto-regeneration, reinforced components and reduced maintenance requirements, you can count on the EC250E to maximize uptime while keeping maintenance costs to a minimum.

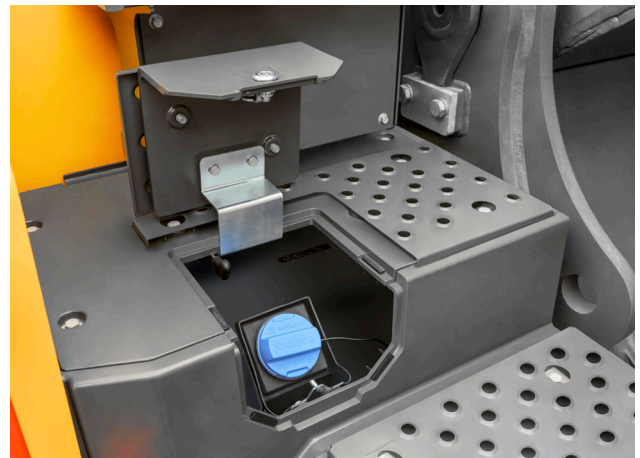
Less service requirements

The new electro-hydraulic system requires less hoses, therefore reducing the need for couplings, minimizing maintenance requirements and increasing reliability. Engine oil and engine oil filter change intervals have been doubled to 1000 hours, further ensuring the time and cost spent on maintenance is kept to a minimum.



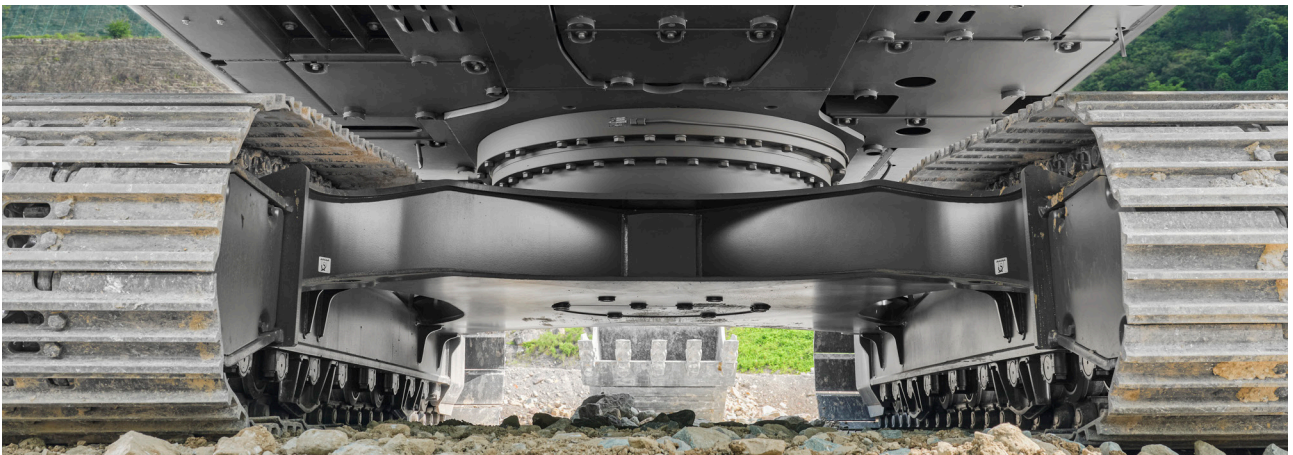
Easier UREA filling

The new splash guard on the UREA tank makes filling quicker and easier, while also reducing the risk of spillage and subsequent corrosion.



Up to the challenge

Built to deliver outstanding strength and durability, this heavy-duty production machine features a robust undercarriage with reinforced idle frame, track links and bottom rollers. Reinforced bucket linkage with steel strip, optional heavy-duty superstructure undercover and easily replaced bolt-on wear plates at the arm end ensure the excavator succeeds even on the toughest of jobsites.





POWERED BY EXCELLENCE

With impressively high torque at low rpm, the new D8M Volvo engine builds on generations of proven Volvo engine technology to deliver superior reliability and performance. The engine features auto-regeneration technology, while auto-engine idle and auto-engine shutdown reduce unnecessary fuel consumption and wear.

Boost your profits

A world-class machine is just the start of how Volvo strives to add value you to your operation. Our portfolio of services is designed to complement your machine's performance and boost your profitability.

Every part counts

Maintain productivity and machine uptime with our range of readily available, tested and approved parts – all backed by Volvo warranty. Only by using Genuine Volvo Parts, can you protect your investment, extend machine life and guarantee long-lasting performance.



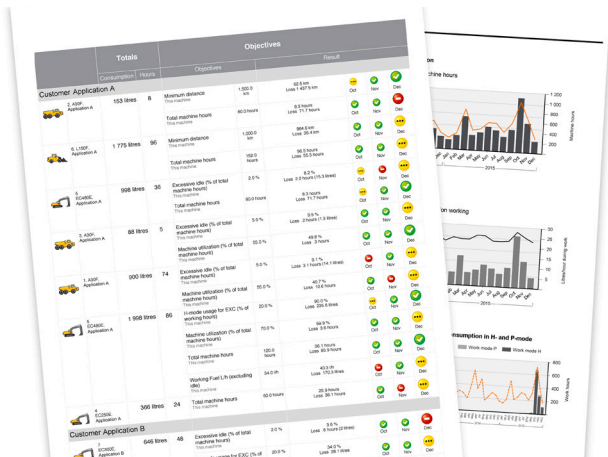
Maintain performance

Stay on track with planned servicing and keep your asset covered with our range of flexible maintenance and repair options.



Powerful reporting

Keep track of your fleet with a comprehensive portfolio of reports, designed to help you take action and boost the profitability of your business. Powered by the CareTrack telematics system, Productivity Report, Fuel Efficiency Report & Summary Report each provide an easy-to-digest overview of your machine's condition and performance.



Machine monitoring made easy

Maximize machine uptime and reduce repair costs with the CareTrack telematics system. Choose to keep track of your machine yourself or let us take care of it with ActiveCare Direct. Our Volvo Uptime Center will provide 24/7 machine monitoring, supplying weekly reports and notifying you should preventive maintenance action be required.





GET THE MOST FROM YOUR MACHINE

While reliable and efficient machines of course play a vital role in reducing costs, enhancing safety and maximizing productivity, it is ultimately the performance of the operator that really makes the difference. We offer a wide range of training initiatives to help operators unlock the full capability of their Volvo excavator.

Move more for less

Boost your productivity

- Best-in-class stability
- Improved response time **NEW**
- Boom/Swing and Boom/Travel priority **NEW**
- Adjustable boom down speed **NEW**
- Dig Assist apps, powered by Volvo Co-Pilot
- Volvo Active Control: double your productivity

Comfortable operation

- Boom and arm bouncing reduction **NEW**
- Comfort Drive Control: joysticks steering **NEW**
- Additional 'long push' shortcut button **NEW**
- Selectable control pattern
- Volvo Care Cab: highest levels of comfort

Safety, inside and out

- 3-point right-hand side access to the upper structure **NEW**
- Bolted anti-slip steps, high visibility handrails
- ROPS cab, low-noise/vibration
- Rear and side cameras, Volvo Smart View
- Swing fence, height/depth limits functions (Volvo Active Control)

Boost versatility

- Steelwrist® Auto Connect Quick Coupler **NEW**
- Factory-fitted preparation for Steelwrist®, Engcon®, Rototilt® tiltrotator control systems **NEW**
- 10% more hydraulic attachment cooling capacity **NEW**
- Range of matched Volvo buckets and breakers
- Attachment Management System: 32 attachments stored

Lower maintenance costs

- Less hydraulic hoses: reduced need for couplings/oil **NEW**
- Splash guard on the UREA tank **NEW**
- 1000hr engine oil and engine oil filter change intervals **NEW**
- Engine auto-regeneration **NEW**
- Grouped filters, accessed from ground-level
- Reinforced idle frame, track links, bottom rollers

Volvo Services: boost your profits

- Operator training program
- Productivity Report, Fuel Efficiency Report, Summary Report
- ActiveCare Direct: 24/7 machine monitoring
- Genuine Volvo Parts, with 24-hour delivery guarantee
- Maintenance and repair agreements



For a dramatic improvement in fuel efficiency, look no further than the EC250E Hybrid.

Up to 10% better fuel efficiency

- Volvo D8M engine **NEW**
- New generation electro-hydraulic system **NEW**
- ECO mode
- Selectable work modes
- Boom float function
- Auto-engine idle and shutdown



Volvo EC250E in detail

Engine

The next-generation Volvo diesel engine uses Volvo Advanced Combustion Technology (V-ACT) to deliver lower emissions, superior performance and fuel efficiency. The engine uses precise, high-pressure fuel injectors, turbo charger and intercooler, and electronic engine controls to optimize machine performance.

Engine	Volvo	D8M
Max power at	r/min (r/s)	1,600 (26.7)
Net, ISO 9249/SAE J1349	kW (hp)	167 (224)
Gross, ISO 14396/SAE J1995	kW (hp)	168 (225)
Max torque	Nm (ft lbf)	1,166 (860)
at engine speed	r/min (r/s)	1,350 (22.5)
No. of cylinders		6
Displacement	l (in ³)	7.7 (470)
Bore	mm (in)	110 (4.33)
Stroke	mm (in)	135 (5.3)

Electrical system

High-capacity electrical system that is well protected. Waterproof double-lock harness plugs are used to secure corrosion-free connections. The main relays and solenoid valves are shielded to prevent damage. The master switch is standard.

Voltage	V	24
Batteries	V	2 x 12
Battery capacity	Ah	170
Alternator	V/A	28 / 120
Start motor	V - kW	24 - 5.5

Undercarriage

The undercarriage has a robust X-shaped frame. Greased and sealed track chains are standard.

Track shoes		2 x 51
Link pitch	mm (in)	190 (7.5)
Shoe width	mm (in)	600 / 700 / 800 / 900 (23.6 / 27.6 / 31.5 / 35.4)
Shoe width, triple grouser	mm (in)	600 / 700 / 800 / 900 (23.6 / 27.6 / 31.5 / 35.4)
Shoe width, triple grouser (HD)	mm (in)	600 (23.6)
Shoe width, double grouser	mm (in)	600 / 700 (23.6 / 27.6)
Bottom rollers		2 x 9
Top rollers		2 x 2

Swing system

The swing system uses an axial piston motors, driving a planetary gearbox for maximum torque. An automatic holding brake and anti-rebound valve are standard.

Max. slew speed	r/min	11.7
Max. slew torque	kNm (ft lbf)	91.7 (67,634)

Travel System

Each track is powered by an automatic two-speed shift travel motor. The track brakes are multi-disc, spring-applied and hydraulic released. The travel motor, brake and planetary gears are well protected within the track frame.

Max. drawbar pull	kN (lbf)	217 (48,784)
Max. travel speed (low)	km/h (mi/h)	3.5 (2.2)
Max. travel speed (high)	km/h (mi/h)	5.5 (3.4)
Gradeability	°	35

Cab

The operator's cab has easy access via a wide door opening. The cab is supported on hydraulic dampening mounts to reduce shock and vibration levels. These along with sound absorbing lining provide low noise levels. The cab has excellent all-round visibility. The front windshield can easily slide up into the ceiling, and the lower front glass can be removed and stored in the side door.

Refrigerant of the type R134a is used when this machine is equipped with air conditioning. Contains fluorinated greenhouse gas R134a, Global Warming Potential 1.430 t CO₂-eq.

Hydraulic system

The hydraulic system, also known as the "Automatic Sensing Work Mode," is designed for high-productivity, high-digging capacity, high-maneuvering precision and excellent fuel economy. The summation system, boom, arm and swing priority along with boom, arm and bucket regeneration provides optimum performance.

Main pump, Type 2 x Variable displacement axial piston pumps

Maximum flow	l/min (gal/min)	2 x 240 (2 x 63.4)
--------------	-----------------	--------------------

Pilot pump, Type Gear Pump

Maximum flow	l/min (gal/min)	20.3 (5.4)
--------------	-----------------	------------

Relief valve setting pressure

Implement	MPa (psi)	33.3 / 36.3 (4,830 / 5,265)
Travel circuit	MPa (psi)	36.3 (5,265)
Slew circuit	MPa (psi)	27.9 (4,047)
Pilot circuit	MPa (psi)	3.9 (566)

Hydraulic Motors

Travel: Variable displacement axial piston motor with mechanical brake

Swing: Fixed displacement piston motor with mechanical brake

Hydraulic Cylinders

Mono boom		2
Bore x Stroke	ø x mm (ø x in)	135 x 1 345 (5.3 x 53)
2 piece boom		2
Bore x Stroke	ø x mm (ø x in)	160 x 1 230 (6.8 x 48.4)
Arm		1
Bore x Stroke	ø x mm (ø x in)	140 x 1 665 (5.5 x 65.6)
Bucket		1
Bore x Stroke	ø x mm (ø x in)	130 x 1 150 (5.1 x 45.3)
Bucket for LR boom		1
Bore x Stroke	ø x mm (ø x in)	100 x 865 (3.9 x 34.1)

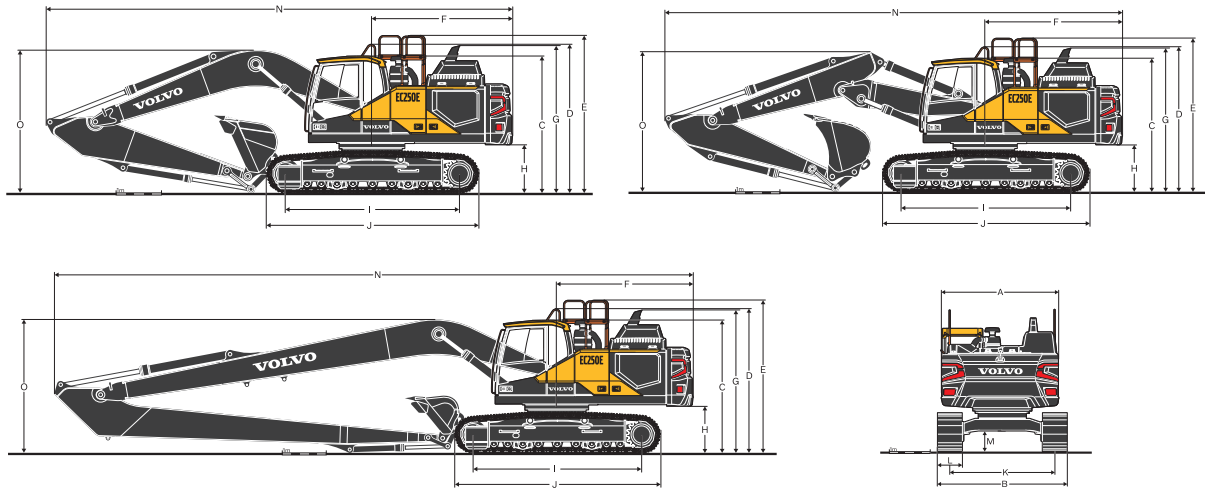
Service Refill

Fuel tank	l (gal)	472 (124.7)
DEF/AdBlue® tank	l (gal)	50 (13)
Hydraulic system, total	l (gal)	385 (101.7)
Hydraulic tank	l (gal)	215 (56.8)
Engine oil	l (gal)	30 (7.9)
Engine coolant	l (gal)	44 (12)
Slew reduction unit	l (gal)	5.9 (1.6)
Travel reduction unit	l (gal)	2 x 5 (2 x 1.3)

Sound Level

Sound pressure level in cab according to ISO 6396		
L _{pA}	dB	70
External sound level according to ISO 6395 and EU Noise Directive 2000/14/EC		
L _{WA}	dB	104

Specifications



Description	Unit		EC250EL										EC250ELR																		
			6.0, 19'8"				5.95, 19'6" 2-piece						10.2, 33'6"																		
Boom	m, ft in		2.5		8'2"		2.97		9'9"		3.6		11'10"		2.5		8'2"		2.97		9'9"		3.6		11'10"		7.85		25'9"		
Arm	m	ft in																													
A. Overall width of upper structure	mm	ft in	2,890	9'6"	2,890	9'6"	2,890	9'6"	2,890	9'6"	2,890	9'6"	2,890	9'6"	2,890	9'6"	2,890	9'6"	2,890	9'6"	2,890	9'6"	2,890	9'6"	2,890	9'6"	2,890	9'6"	2,890	9'6"	
B. Overall width	mm	ft in	3,190	10'6"	3,190	10'6"	3,190	10'6"	3,190	10'6"	3,190	10'6"	3,190	10'6"	3,190	10'6"	3,190	10'6"	3,190	10'6"	3,190	10'6"	3,190	10'6"	3,190	10'6"	3,190	10'6"	3,190	10'6"	
C. Overall height of cab	mm	ft in	3,045	9'12"	3,045	9'12"	3,045	9'12"	3,045	9'12"	3,045	9'12"	3,045	9'12"	3,045	9'12"	3,045	9'12"	3,045	9'12"	3,045	9'12"	3,045	9'12"	3,045	9'12"	3,045	9'12"	3,045	9'12"	
D. Overall height of handrail	mm	ft in	3,310	10'10"	3,310	10'10"	3,310	10'10"	3,310	10'10"	3,310	10'10"	3,310	10'10"	3,310	10'10"	3,310	10'10"	3,310	10'10"	3,310	10'10"	3,310	10'10"	3,310	10'10"	3,310	10'10"	3,310	10'10"	
E. Overall height of guardrail (Unfolded)	mm	ft in	3,515	11'6"	3,515	11'6"	3,515	11'6"	3,515	11'6"	3,515	11'6"	3,515	11'6"	3,515	11'6"	3,515	11'6"	3,515	11'6"	3,515	11'6"	3,515	11'6"	3,515	11'6"	3,515	11'6"	3,515	11'6"	
E'. Overall height of handrail/guardrail (Folded)	mm	ft in	3,035	9'11"	3,035	9'11"	3,035	9'11"	3,035	9'11"	3,035	9'11"	3,035	9'11"	3,035	9'11"	3,035	9'11"	3,035	9'11"	3,035	9'11"	3,035	9'11"	3,035	9'11"	3,035	9'11"	3,035	9'11"	
F. Tail swing radius	mm	ft in	3,075	10'1"	3,075	10'1"	3,075	10'1"	3,075	10'1"	3,075	10'1"	3,075	10'1"	3,075	10'1"	3,075	10'1"	3,075	10'1"	3,075	10'1"	3,075	10'1"	3,075	10'1"	3,155	10'4"	3,155	10'4"	
G. Overall height of diffuser	mm	ft in	3,135	10'3"	3,135	10'3"	3,135	10'3"	3,135	10'3"	3,135	10'3"	3,135	10'3"	3,135	10'3"	3,135	10'3"	3,135	10'3"	3,135	10'3"	3,135	10'3"	3,135	10'3"	3,135	10'3"	3,135	10'3"	
H. Counterweight clearance *	mm	ft in	1,045	3'5"	1,045	3'5"	1,045	3'5"	1,045	3'5"	1,045	3'5"	1,045	3'5"	1,045	3'5"	1,045	3'5"	1,045	3'5"	1,045	3'5"	1,045	3'5"	1,045	3'5"	1,045	3'5"	1,045	3'5"	
I. Tumbler length	mm	ft in	3,850	12'8"	3,850	12'8"	3,850	12'8"	3,850	12'8"	3,850	12'8"	3,850	12'8"	3,850	12'8"	3,850	12'8"	3,850	12'8"	3,850	12'8"	3,850	12'8"	3,850	12'8"	3,850	12'8"	3,850	12'8"	
J. Track length	mm	ft in	4,650	15'3"	4,650	15'3"	4,650	15'3"	4,650	15'3"	4,650	15'3"	4,650	15'3"	4,650	15'3"	4,650	15'3"	4,650	15'3"	4,650	15'3"	4,650	15'3"	4,650	15'3"	4,650	15'3"	4,650	15'3"	
K. Track gauge	mm	ft in	2,590	8'6"	2,590	8'6"	2,590	8'6"	2,590	8'6"	2,590	8'6"	2,590	8'6"	2,590	8'6"	2,590	8'6"	2,590	8'6"	2,590	8'6"	2,590	8'6"	2,590	8'6"	2,590	8'6"	2,590	8'6"	
L. Shoe width	mm	ft in	600	24"	600	24"	600	24"	600	24"	600	24"	600	24"	600	24"	600	24"	600	24"	600	24"	600	24"	600	24"	600	24"	600	24"	
M. Min. ground clearance *	mm	ft in	470	1'7"	470	1'7"	470	1'7"	470	1'7"	470	1'7"	470	1'7"	470	1'7"	470	1'7"	470	1'7"	470	1'7"	470	1'7"	470	1'7"	470	1'7"	470	1'7"	
N. Overall length	mm	ft in	10,310	33'10"	10,230	33'7"	10,300	33'10"	10,260	33'8"	10,225	33'7"	10,230	33'7"	14,520	47'8"															
O. Overall height of boom	mm	ft in	3,330	10'11"	3,110	10'2"	3,330	10'11"	3,265	10'9"	3,185	10'5"	3,405	11'2"	3,080	10'1"															

* Without shoe grouser

' 2-piece boom

DIMENSIONS

Boom

Description	Unit		mono				2-piece		Long-Reach	
			6.0, 19'8" GP		6.0, 19'8" HD		5.95, 19'6"		10.2, 33'6"	
Length	mm	ft in	6,220	20'5"	6,220	20'5"	6,170	20'3"	10,420	34'2"
Height	mm	ft in	1,750	5'9"	1,750	5'9"	1,510	4'11"	1,525	5'0"
Width	mm	ft in	725	2'5"	725	2'5"	725	2'5"	725	2'5"
Weight	kg	lb	2,230	4,920	2,355	5,190	2,835	6,250	3,025	6,670

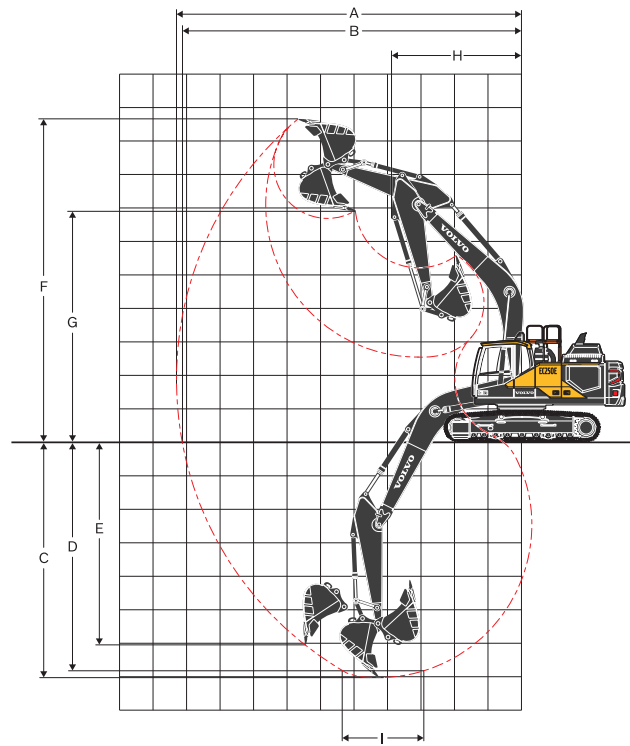
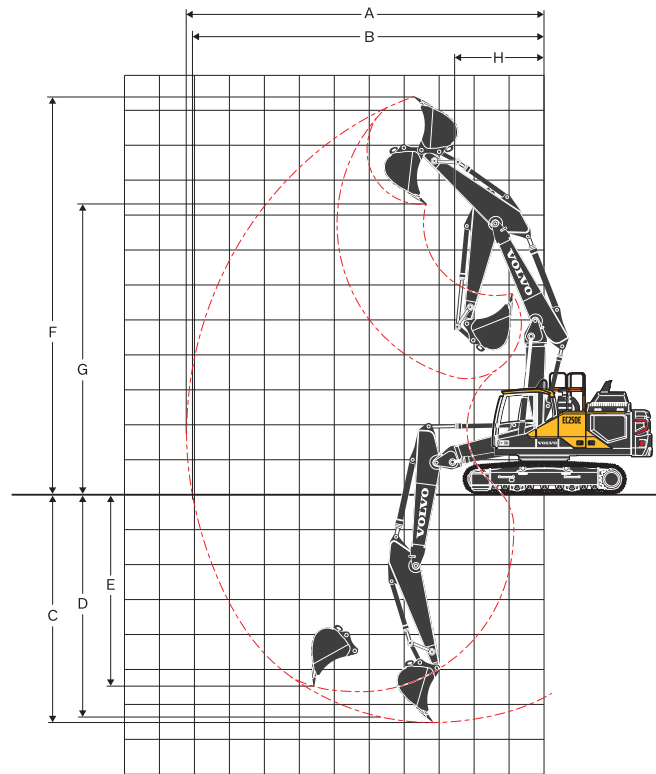
* Includes cylinder, piping and pin, excludes boom cylinder pin

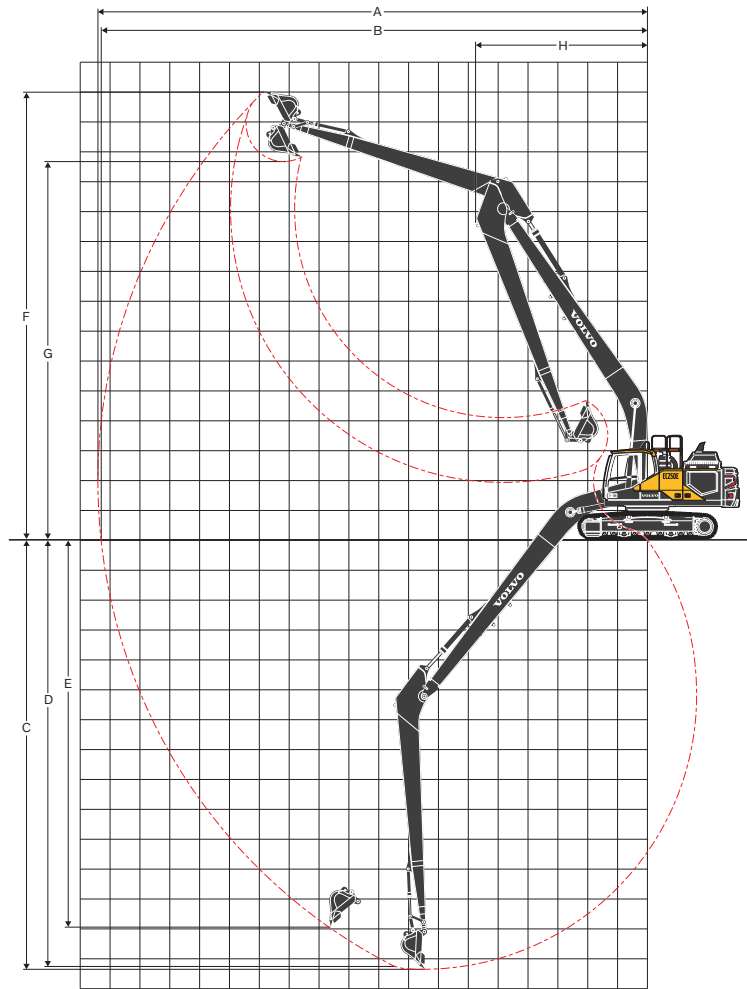
Arm

Description	Unit		2.5, 8'2" HD				2.97, 9'9" GP		2.97, 9'9" HD		3.6, 11'10" GP		7.85, 25'9" LR	
			m		ft in		m		ft in		m		ft in	
Length	mm	ft in	3,580	11'9"	4,050	13'3"	4,050	13'3"	4,715	15'6"	8,960	29'5"		
Height	mm	ft in	995	3'3"	995	3'3"	995	3'3"	1,000	3'3"	1,190	3'11"		
Width	mm	ft in	510	1'8"	510	1'8"	510	1'8"	510	1'8"	385	1'3"		
Weight	kg	lb	1,210	2,670	1,245	2,750	1,300	2,870	1,335	2,940	1,630	3,590		

* Includes cylinder, linkage and pin

Specifications





WORKING RANGES

Description	Unit	EC250EL												EC250ELR	
		6.0, 19'8"						5.95, 19'6" 2-piece						10.2, 33'6"	
Boom	m, ft in														
Arm	m ft in	2.5	8'2"	2.97	9'9"	3.6	11'10"	2.5	8'2"	2.97	9'9"	3.6	11'10"	7.85	25'9"
A. Max. digging reach	mm ft in	9,960	32'8"	10,340	33'11"	10,810	35'6"	9,970	32'9"	10,365	34'0"	10,855	35'7"	18,305	60'1"
B. Max. digging reach on ground	mm ft in	9,775	32'1"	10,160	33'4"	10,640	34'11"	9,785	32'1"	10,190	33'5"	10,685	35'1"	18,210	59'9"
C. Max. digging depth	mm ft in	6,590	21'7"	7,060	23'2"	7,690	25'3"	6,125	20'1"	6,565	21'6"	7,135	23'5"	14,350	47'1"
D. Max. digging depth (l = 2.44 m / 8'0" level)	mm ft in	6,375	20'11"	6,855	22'6"	7,470	24'6"	6,020	19'9"	6,465	21'3"	7,040	23'1"	14,240	46'9"
E. Max. vertical wall digging depth	mm ft in	5,265	17'3"	5,520	18'1"	5,805	19'1"	4,910	16'1"	5,290	17'4"	5,765	18'11"	12,470	40'11"
F. Max. cutting height	mm ft in	9,620	31'7"	9,685	31'9"	9,645	31'8"	11,140	36'7"	11,390	37'4"	11,625	38'2"	14,890	48'10"
G. Max. dumping height	mm ft in	6,610	21'8"	6,710	22'0"	6,730	22'1"	7,925	26'0"	8,190	26'10"	8,445	27'8"	12,580	41'3"
H. Min. front swing radius	mm ft in	3,915	12'10"	3,890	12'9"	3,890	12'9"	2,785	9'2"	2,550	8'4"	2,715	8'11"	5,720	18'9"

DIGGING FORCES WITH DIRECT FIT BUCKET

Bucket radius		mm	in	1,620	64"	1,620	64"	1,620	64"	1,620	64"	1,620	64"	1,248	49"	
Breakout force	Normal	SAE J1179	kN	lb	145	32,490	145	32,510	145	32,500	145	32,490	145	32,510	68	15,300
	Power boost		kN	lb	157	35,350	157	35,370	157	35,370	157	35,350	157	35,370	68	15,300
	Normal	ISO 6015	kN	lb	166	37,390	166	37,410	166	37,400	166	37,390	166	37,410	77	17,290
	Power boost		kN	lb	181	40,690	181	40,710	181	40,710	181	40,690	181	40,710	77	17,290
Tearout force	Normal	SAE J1179	kN	lb	132	29,620	114	25,650	102	22,960	132	29,620	114	25,650	43	9,620
	Power boost		kN	lb	143	32,240	124	27,910	111	24,980	143	32,240	124	27,910	43	9,620
	Normal	ISO 6015	kN	lb	136	30,650	118	26,410	105	23,530	136	30,650	118	26,410	43	9,720
	Power boost		kN	lb	148	33,360	128	28,740	114	25,610	148	33,360	128	28,740	43	9,720
Rotation angle, bucket		°		177		177		177		177		177		178		

Specifications

MACHINE WEIGHTS AND GROUND PRESSURE								
Description	Shoe width		Operating weight		Ground pressure		Overall width	
	mm	in	kg	lb	kPa	psi	mm	in
EC250EL								
			6.0 m (19'8") boom (GP), 2.97 m (9'9") arm (GP), 1,200 kg (2,650 lb) / 1.14 m³ (301 gal) bucket, 4,950 kg (10,910 lb) counterweight					
Triple grouser	600	24	26,830	59,160	53.0	7.7	3,190	10'6"
	600 (HD)	24	27,070	59,690	53.5	7.7	3,190	10'6"
	700	28	27,130	59,820	45.9	6.7	3,290	10'10"
	800	31	27,420	60,460	40.6	5.9	3,390	11'1"
	900	35	27,730	61,140	36.5	5.3	3,490	11'5"
Double grouser	600	24	27,050	59,650	53.4	7.7	3,190	10'6"
	700	28	27,390	60,390	46.4	6.7	3,290	10'10"
			6.0 m (19'8") boom (HD), 2.97 m (9'9") arm (HD), 1,200 kg (2,650 lb) / 1.14 m³ (301 gal) bucket, 4,950 kg (10,910 lb) counterweight					
Triple grouser	600	24	27,010	59,560	53.4	7.7	3,190	10'6"
	600 (HD)	24	27,250	60,090	53.8	7.8	3,190	10'6"
	700	28	27,310	60,220	46.2	6.7	3,290	10'10"
	800	31	27,600	60,860	40.9	5.9	3,390	11'1"
	900	35	27,910	61,540	36.8	5.3	3,490	11'5"
Double grouser	600	24	27,230	60,040	53.8	7.8	3,190	10'6"
	700	28	27,570	60,790	46.7	6.8	3,290	10'10"
			5.95 m (19'6") boom (2-piece), 2.97 m (9'9") arm (GP), 1,200 kg (2,650 lb) / 1.14 m³ (301 gal) bucket, 4,950 kg (10,910 lb) counterweight					
Triple grouser	600	24	27,440	60,510	54.2	7.9	3,190	10'6"
	600 (HD)	24	27,680	61,030	54.7	7.9	3,190	10'6"
	700	28	27,740	61,170	47.0	6.8	3,290	10'10"
	800	31	28,030	61,810	41.5	6.0	3,390	11'1"
	900	35	28,340	62,490	37.3	5.4	3,490	11'5"
Double grouser	600	24	27,660	60,990	54.6	7.9	3,190	10'6"
	700	28	28,000	61,740	47.4	6.9	3,290	10'10"
			5.95 m (19'6") boom (2-piece), 2.97 m (9'9") arm (HD), 1,200 kg (2,650 lb) / 1.14 m³ (301 gal) bucket, 4,950 kg (10,910 lb) counterweight					
Triple grouser	600	24	27,490	60,620	54.3	7.9	3,190	10'6"
	600 (HD)	24	27,730	61,140	54.8	7.9	3,190	10'6"
	700	28	27,790	61,280	47.1	6.8	3,290	10'10"
	800	31	28,080	61,920	41.6	6.0	3,390	11'1"
	900	35	28,390	62,600	37.4	5.4	3,490	11'5"
Double grouser	600	24	27,710	61,100	54.7	7.9	3,190	10'6"
	700	28	28,050	61,850	47.5	6.9	3,290	10'10"
EC250ELR								
			10.2 m (33'6") boom (LR), 7.85 m (25'9") arm (LR), 452 kg (1,000 lb) / 0.52 m³ (137 gal) bucket, 6,200 kg (13,670 lb) counterweight					
Triple grouser	600	24	28,570	63,000	57.6	8.2	3,190	10'6"
	600 (HD)	24	28,810	64,300	56.9	6.3	3,190	10'6"
	800	31	29,160	64,980	44.1	5.6	3,390	11'1"
	900	35	29,470	63,530	39.6	8.2	3,490	11'5"

BUCKET SELECTION GUIDE

Bucket type		Capacity		Cutting width		Weight		Teeth	EC250EL					
									600 mm (24") shoe, 4,950 kg (10,910 lb) counterweight					
				6.0 m (19'8") GP Boom			5.95 m (19'6") 2-piece Boom							
		L	yd ³	mm	in	kg	lb	EA	2.5 m (8'2")	2.97 m (9'9")	3.6 m (11'10")	2.5 m (8'2")	2.97 m (9'9")	3.6 m (11'10")
Direct fit bucket	General purpose	560	0.73	600	23.6	800	1,763	3	C	C	C	C	C	C
		620	0.81	750	29.5	823	1,814	3	C	C	C	C	C	C
		770	1.01	900	35.4	983	2,167	4	C	C	C	C	C	C
		950	1.24	1090	42.9	1012	2,231	4	C	C	C	C	C	C
		1,140	1.49	1,240	48.8	1,179	2,600	5	C	C	C	C	C	C
		1,320	1.73	1,390	54.7	1,196	2,636	5	C	C	C	C	C	C
		1,450	1.90	1,490	58.7	1,249	2,754	5	C	C	C	C	C	C
		1,510	1.98	1,540	60.6	1,294	2,854	5	C	C	C	C	C	C
	1,760	2.30	1,740	68.5	1,435	3,163	6	C	B	B	C	B	A	
	Heavy duty	560	0.73	600	23.6	870	1,917	3	D	D	D	D	D	D
		620	0.81	750	29.5	880	1,941	3	D	D	D	D	D	D
		1,140	1.49	1,240	48.8	1,200	2,646	5	D	D	D	D	D	D
		1,320	1.73	1,390	54.7	1,289	2,843	5	D	D	D	D	D	D
		1,510	1.98	1,540	60.6	1,377	3,035	5	D	D	C	D	D	B
1,760		2.30	1,740	68.5	1,533	3,380	6	C	B	A	B	B	A	
Direct fit bucket (UQC interface)	General purpose	560	0.73	600	23.6	800	1,763	3	C	C	C	C	C	C
		620	0.81	750	29.5	823	1,814	3	C	C	C	C	C	C
		770	1.01	900	35.4	983	2,167	4	C	C	C	C	C	C
		950	1.24	1090	42.9	1012	2,231	4	C	C	C	C	C	C
		1,140	1.49	1,240	48.8	1,179	2,600	5	C	C	C	C	C	C
		1,320	1.73	1,390	54.7	1,196	2,636	5	C	C	C	C	C	B
		1,450	1.90	1,490	58.7	1,249	2,754	5	C	C	B	C	B	B
		1,510	1.98	1,540	60.6	1,294	2,854	5	C	B	A	C	B	A
	1,760	2.30	1,740	68.5	1,435	3,163	6	B	A	x	B	A	x	
	Heavy duty	560	0.73	600	23.6	870	1,917	3	D	D	D	D	D	D
		620	0.81	750	29.5	880	1,941	3	D	D	D	D	D	D
		1,140	1.49	1,240	48.8	1,200	2,646	5	D	D	D	D	D	C
		1,320	1.73	1,390	54.7	1,289	2,843	5	D	C	B	D	C	B
		1,510	1.98	1,540	60.6	1,377	3,035	5	C	B	A	C	B	A
1,760		2.30	1,740	68.5	1,533	3,380	6	B	A	x	A	A	x	

For long reach boom and arm configuration, Volvo recommends to use 0.52 m³ (0.68 yd³) bucket
Please consult with your Volvo dealer for the proper match of buckets and attachments to suit the application.
The recommendations are given as a guide only, based on typical operation conditions.
Bucket capacity based on ISO 7451, heaped material with a 1:1 angle of repose.

Maximum material density

	kg/m ³	lb/yd ³	
A	1,200~1,300	2,000~2,200	Coal, Caliche, Shale
B	1,400~1,600	2,300~2,700	Wet earth and clay, Limestone, Sandstone
C	1,700~1,800	2,800~3,100	Granite, Wet sand, Well blasted rock
D	> 1,900	> 3,200	Wet mud, Iron ore
X	Not recommended		

Specifications

LIFTING CAPACITY EC250EL

Lifting capacity at the arm end without bucket.

For lifting capacity including bucket, simply subtract actual weight of the direct fit bucket or the bucket with quick coupler from the following values.

	Lifting Point	1.5 m, 5 ft		3.0 m, 10 ft		4.5 m, 15 ft		6.0 m, 20 ft		7.5 m, 25 ft		9.0 m, 30 ft		Max. Reach			
		Along UC	Across UC	Along UC	Across UC	Along UC	Across UC	Along UC	Across UC	Along UC	Across UC	Along UC	Across UC	Along UC	Across UC	Max.	
Boom : 6.0 m, 19'8" Arm : 2.5m, 8'2" Shoe : 600 mm, 24" CWT : 4,950 kg, 10,910 lb	7.5 m	kg							*6,890	*6,890					*6,940	*6,940	6.10 m
	25 ft	lb													*15,010	*15,010	19.69 ft
	6.0 m	kg							*6,900	*6,900					*6,930	5,540	7.22 m
	20 ft	lb							*14,800	*14,800					*14,970	11,970	23.55 ft
	4.5 m	kg					*9,320	*9,320	*7,740	7,250	*7,100	5,140			6,960	4,720	7.90 m
	15 ft	lb					*19,650	*19,650	*16,490	15,190	*15,280	10,700			15,030	10,100	25.88 ft
	3.0 m	kg					*12,020	10,510	*8,950	6,930	7,430	5,000			6,400	4,320	8.25 m
	10 ft	lb					*25,390	22,000	*19,040	14,480	15,600	10,410			13,750	9,200	27.09 ft
	1.5 m	kg					*14,100	9,930	*10,090	6,630	7,270	4,850			6,230	4,180	8.32 m
	5 ft	lb					*30,000	20,730	21,360	13,830	15,260	10,100			13,360	8,880	27.33 ft
	0 m	kg					*14,870	9,690	9,960	6,440	7,150	4,750			6,400	4,270	8.11 m
	0 ft	lb					*31,820	20,220	20,900	13,430	15,020	9,890			13,730	9,080	26.63 ft
	-1.5 m	kg			*10,440	*10,440	*14,660	9,650	9,880	6,370	7,120	4,720			7,000	4,650	7.59 m
	-5 ft	lb			*23,830	*23,830	*31,460	20,180	20,770	13,310					15,100	9,930	24.90 ft
	-3.0 m	kg			*18,690	*18,690	*13,560	9,750	9,940	6,430					8,450	5,550	6.70 m
-10 ft	lb			*40,270	*40,270	*29,060	20,460	20,980	13,500					18,390	11,990	21.90 ft	
-4.5 m	kg			*14,940	*14,940	*10,900	10,030							*9,080	8,030	5.24 m	
-15 ft	lb			*31,840	*31,840	*23,020	21,200							*19,820	17,790	16.94 ft	
Boom : 6.0 m, 19'8" Arm : 2.97m, 9'9" Shoe : 600 mm, 24" CWT : 4,950 kg, 10,910 lb	7.5 m	kg													*6,080	*6,080	6.61 m
	25 ft	lb							*13,350	*13,350					*13,460	*13,460	21.40 ft
	6.0 m	kg							*6,330	*6,330	*6,390	5,300			*5,830	5,120	7.66 m
	20 ft	lb							*13,590	*13,590					*12,820	11,070	24.99 ft
	4.5 m	kg					*8,430	*8,430	*7,220	*7,220	*6,670	5,210			*5,860	4,420	8.30 m
	15 ft	lb					*17,840	*17,840	*15,420	*15,420	*14,370	10,900			*12,840	9,490	27.20 ft
	3.0 m	kg					*11,140	10,720	*8,490	7,020	*7,280	5,050			6,010	4,070	8.64 m
	10 ft	lb					*23,630	22,550	*18,110	14,730	*15,620	10,570			12,950	8,690	28.35 ft
	1.5 m	kg					*13,500	10,070	*9,740	6,700	7,300	4,890			5,850	3,940	8.70 m
	5 ft	lb					*28,800	21,120	*20,820	14,030	15,380	10,220			12,590	8,400	28.58 ft
	0 m	kg			*5,020	*5,020	*14,680	9,730	9,990	6,470	7,160	4,760			5,980	4,000	8.50 m
	0 ft	lb			*11,570	*11,570	*31,500	20,410	21,040	13,560	15,090	9,950			12,880	8,550	27.91 ft
	-1.5 m	kg	*6,670	*6,670	*10,700	*10,700	*14,820	9,620	9,860	6,360	7,090	4,690			6,470	4,310	8.01 m
	-5 ft	lb	*14,880	*14,880	*24,230	*24,230	*31,870	20,220	20,810	13,350	14,980	9,850			13,990	9,240	26.26 ft
	-3.0 m	kg	*12,360	*12,360	*17,780	*17,780	*14,040	9,670	9,880	6,370					7,610	5,020	7.17 m
-10 ft	lb	*27,720	*27,720	*40,420	*40,420	*30,210	20,390	20,890	13,430					16,570	10,870	23.44 ft	
-4.5 m	kg			*16,720	*16,720	*12,000	9,880							*8,940	6,810	5.83 m	
-15 ft	lb			*35,860	*35,860	*25,620	20,940							*19,620	15,020	18.90 ft	
Boom : 6.0 m, 19'8" Arm : 3.6m, 11'10" Shoe : 600 mm, 24" CWT : 4,950 kg, 10,910 lb	7.5 m	kg													*5,040	*5,040	7.23 m
	25 ft	lb													*11,110	*11,110	23.43 ft
	6.0 m	kg									*5,650	5,400			*4,900	4,640	8.19 m
	20 ft	lb									*12,170	11,240			*10,740	9,990	26.75 ft
	4.5 m	kg							*6,430	*6,430	*6,060	5,270			*4,950	4,060	8.80 m
	15 ft	lb							*13,660	*13,660	*12,970	10,990			*10,830	8,660	28.82 ft
	3.0 m	kg			*15,760	*15,760	*9,850	*9,850	*7,750	7,110	*6,750	5,090	*5,650	3,830	*5,180	3,750	9.11 m
	10 ft	lb			*32,940	*32,940	*20,800	*20,800	*16,460	14,870	*14,410	10,590			*11,320	7,960	29.91 ft
	1.5 m	kg					*12,490	10,210	*9,130	6,740	7,320	4,890	5,560	3,730	5,400	3,630	9.17 m
	5 ft	lb					*26,510	21,330	*19,420	14,060	15,350	10,170	11,630	7,720	11,560	7,670	30.12 ft
	0 m	kg			*7,080	*7,080	*14,150	9,740	9,990	6,460	7,140	4,730			5,490	3,660	8.98 m
	0 ft	lb			*16,080	*16,080	*30,200	20,300	20,960	13,450	14,970	9,820			11,750	7,760	29.49 ft
	-1.5 m	kg	*6,800	*6,800	*10,800	*10,800	*14,740	9,540	9,810	6,300	7,030	4,630			5,870	3,900	8.52 m
	-5 ft	lb	*15,140	*15,140	*24,400	*24,400	*31,560	19,890	20,590	13,120	14,760	9,630			12,610	8,280	27.94 ft
	-3.0 m	kg	*11,030	*11,030	*16,000	*16,000	*14,400	9,520	9,760	6,260	7,020	4,620			6,730	4,440	7.74 m
-10 ft	lb	*24,690	*24,690	*36,250	*36,250	*30,860	19,920	20,540	13,090	14,800	9,660			14,550	9,510	25.31 ft	
-4.5 m	kg	*16,340	*16,340	*18,580	*18,580	*12,990	9,660	*9,600	6,360					*8,610	5,690	6.52 m	
-15 ft	lb	*36,820	*36,820	*39,780	*39,780	*27,730	20,320	*20,340	13,380					*18,820	12,390	21.18 ft	
-6.0 m	kg					*9,450	*9,450							*9,390	*9,390	4.52 m	
-20 ft	lb					*20,834	*20,834							*20,701	*20,701	14.83 ft	

Notes: 1. Machine in "Fine Mode-F" (Power Boost) for lifting capacities. 2. The above loads are in compliance with SAE J1097 and ISO 10567 Hydraulic Excavator Lifting Capacity Standards. 3. Rated loads do not exceed 87% of hydraulic lifting capacity or 75% of tipping load. 4. Rated loads marked with an asterisk (*) are limited by hydraulic capacity rather than tipping load.

LIFTING CAPACITY EC250EL

Lifting capacity at the arm end without bucket.

For lifting capacity including bucket, simply subtract actual weight of the direct fit bucket or the bucket with quick coupler from the following values.

	Lifting Point	1.5 m, 5 ft		3.0 m, 10 ft		4.5 m, 15 ft		6.0 m, 20 ft		7.5 m, 25 ft		9.0 m, 30 ft		Max. Reach			
		Along UC	Across UC	Along UC	Across UC	Along UC	Across UC	Along UC	Across UC	Along UC	Across UC	Along UC	Across UC	Along UC	Across UC	Max.	
Boom : 6.0 m, 19'8" Arm : 2.5 m, 8'2" Shoe : 800 mm, 32" CWT : 4,950 kg, 10,910 lb	7.5 m	kg							*6,880	*6,880					*6,930	*6,930	6.10 m
	25 ft	lb													*14,960	*14,960	19.69 ft
	6.0 m	kg							*6,890	*6,890					*6,910	5,640	7.22 m
	20 ft	lb							*14,740	*14,740					*14,900	12,180	23.55 ft
	4.5 m	kg					*9,310	*9,310	*7,730	7,390	*7,070	5,240			*7,040	4,810	7.90 m
	15 ft	lb					*19,580	*19,580	*16,420	15,450	*15,200	10,880			*15,190	10,270	25.88 ft
	3.0 m	kg					*11,980	10,690	*8,920	7,050	7,580	5,090			6,530	4,400	8.25 m
	10 ft	lb					*25,270	22,350	*18,940	14,710	15,910	10,580			14,020	9,340	27.09 ft
	1.5 m	kg					*14,050	10,090	*10,050	6,750	7,410	4,940			6,350	4,250	8.32 m
	5 ft	lb					*29,840	21,040	*21,380	14,050	15,550	10,260			13,620	9,020	27.33 ft
	0 m	kg					*14,800	9,840	10,150	6,550	7,290	4,830			6,520	4,340	8.11 m
	0 ft	lb					*31,640	20,510	21,300	13,630	15,310	10,040			14,000	9,220	26.63 ft
	-1.5 m	kg			*10,440	*10,440	*14,590	9,790	10,060	6,470	7,250	4,790			7,130	4,720	7.59 m
	-5 ft	lb			*23,830	*23,830	*31,270	20,470	21,160	13,500					15,380	10,080	24.90 ft
	-3.0 m	kg			*18,580	*18,580	*13,480	9,890	*10,090	6,520					8,610	5,640	6.70 m
-10 ft	lb			*40,020	*40,020	*28,890	20,760	21,370	13,700					18,730	12,170	21.90 ft	
-4.5 m	kg			*14,840	*14,840	*10,830	10,170							*9,020	8,150	5.24 m	
-15 ft	lb			*31,610	*31,610	*22,870	21,520							*19,680	18,060	16.94 ft	
Boom : 6.0 m, 19'8" Arm : 2.97 m, 9'9" Shoe : 800 mm, 32" CWT : 4,950 kg, 10,910 lb	7.5 m	kg													*6,050	*6,050	6.61 m
	25 ft	lb							*13,200	*13,200					*13,420	*13,420	21.40 ft
	6.0 m	kg							*6,280	*6,280	*6,330	5,370			*5,800	5,180	7.66 m
	20 ft	lb							*13,430	*13,430					*12,780	11,170	24.99 ft
	4.5 m	kg					*8,390	*8,390	*7,170	*7,170	*6,620	5,280			*5,830	4,470	8.30 m
	15 ft	lb					*17,640	*17,640	*15,230	*15,230	*14,170	10,990			*12,800	9,540	27.20 ft
	3.0 m	kg					*11,080	10,890	*8,430	7,120	*7,220	5,120			*6,070	4,110	8.64 m
	10 ft	lb					*23,340	22,760	*17,870	14,850	*15,410	10,630			13,100	8,720	28.35 ft
	1.5 m	kg					*13,410	10,200	*9,660	6,780	7,420	4,940			5,940	3,970	8.70 m
	5 ft	lb					*28,440	21,250	*20,540	14,110	15,560	10,260			12,720	8,420	28.58 ft
	0 m	kg			*4,990	*4,990	*14,580	9,850	10,150	6,540	7,270	4,810			6,070	4,040	8.50 m
	0 ft	lb			*11,530	*11,530	*31,100	20,490	21,280	13,600	15,260	9,980			13,010	8,560	27.91 ft
	-1.5 m	kg	*6,640	*6,640	*10,660	*10,660	*14,700	9,740	10,020	6,430	7,200	4,740			6,570	4,350	8.01 m
	-5 ft	lb	*14,840	*14,840	*24,190	*24,190	*31,470	20,290	21,040	13,390	15,140	9,870			14,140	9,260	26.26 ft
	-3.0 m	kg	*12,320	*12,320	*17,740	*17,740	*13,930	9,780	10,030	6,440					7,720	5,070	7.17 m
-10 ft	lb	*27,680	*27,680	*40,400	*40,400	*29,820	20,480	21,130	13,470					16,760	10,900	23.44 ft	
-4.5 m	kg			*16,570	*16,570	*11,890	10,000							*8,850	6,880	5.83 m	
-15 ft	lb			*35,370	*35,370	*25,260	21,070							*19,330	15,110	18.90 ft	
Boom : 6.0 m, 19'8" Arm : 3.6 m, 11'10" Shoe : 800 mm, 32" CWT : 4,950 kg, 10,910 lb	7.5 m	kg													*5,040	*5,040	7.23 m
	25 ft	lb													*11,110	*11,110	23.43 ft
	6.0 m	kg								*5,640	5,500				*4,900	4,730	8.19 m
	20 ft	lb								*12,120	11,450				*10,740	10,170	26.75 ft
	4.5 m	kg							*6,420	*6,420	*6,050	5,380			*4,950	4,140	8.80 m
	15 ft	lb							*13,610	*13,610	*12,910	11,190			*10,830	8,810	28.82 ft
	3.0 m	kg			*15,730	*15,730	*9,830	*9,830	*7,730	7,250	*6,730	5,190	*5,650	3,900	*5,180	3,820	9.11 m
	10 ft	lb			*32,810	*32,810	*20,710	*20,710	*16,390	15,130	*14,330	10,770			*11,320	8,090	29.91 ft
	1.5 m	kg					*12,450	10,390	*9,100	6,860	7,470	4,980	5,670	3,800	5,510	3,690	9.17 m
	5 ft	lb					*26,380	21,670	*19,320	14,290	15,660	10,340	11,860	7,850	11,790	7,800	30.12 ft
	0 m	kg			*7,080	*7,080	*14,100	9,900	*10,160	6,570	7,280	4,810			5,600	3,730	8.98 m
	0 ft	lb			*16,080	*16,080	*30,040	20,600	21,360	13,660	15,270	9,980			11,990	7,880	29.49 ft
	-1.5 m	kg	*6,800	*6,800	*10,800	*10,800	*14,670	9,690	10,000	6,400	7,170	4,710			5,980	3,960	8.52 m
	-5 ft	lb	*15,140	*15,140	*24,400	*24,400	*31,380	20,180	20,980	13,320	15,050	9,780			12,850	8,410	27.94 ft
	-3.0 m	kg	*11,030	*11,030	*16,000	*16,000	*14,330	9,670	9,950	6,360	7,160	4,700			6,850	4,510	7.74 m
-10 ft	lb	*24,690	*24,690	*36,250	*36,250	*30,680	20,210	20,930	13,280	15,080	9,810			14,830	9,660	25.31 ft	
-4.5 m	kg	*16,340	*16,340	*18,470	*18,470	*12,920	9,810	*9,550	6,460					*8,560	5,770	6.52 m	
-15 ft	lb	*36,820	*36,820	*39,520	*39,520	*27,560	20,620	*20,210	13,580					*18,700	12,580	21.18 ft	
-6.0 m	kg					*9,380	*9,380							*9,330	*9,330	4.52 m	
-20 ft	lb					*20,679	*20,679							*20,569	*20,569	14.83 ft	

Notes: 1. Machine in "Fine Mode-F" (Power Boost) for lifting capacities. 2. The above loads are in compliance with SAE J1097 and ISO 10567 Hydraulic Excavator Lifting Capacity Standards. 3. Rated loads do not exceed 87% of hydraulic lifting capacity or 75% of tipping load. 4. Rated loads marked with an asterisk (*) are limited by hydraulic capacity rather than tipping load.

Specifications

LIFTING CAPACITY EC250EL

Lifting capacity at the arm end without bucket.

For lifting capacity including bucket, simply subtract actual weight of the direct fit bucket or the bucket with quick coupler from the following values.

	Lifting Point	1.5 m, 5 ft		3.0 m, 10 ft		4.5 m, 15 ft		6.0 m, 20 ft		7.5 m, 25 ft		9.0 m, 30 ft		Max. Reach				
		Along UC	Across UC	Along UC	Across UC	Along UC	Across UC	Along UC	Across UC	Along UC	Across UC	Along UC	Across UC	Along UC	Across UC	Max.		
Boom : 5.95 m, 19'6" 2-piece Arm : 2.5 m, 8'2" Shoe : 600 mm, 24" CWT : 4,950 kg, 10,910 lb	9.0 m	kg														*9,630	*9,630	4.21 m
	30 ft	lb														*21,230	*21,230	13.81 ft
	7.5 m	kg					*9,810	*9,810	*8,570	7,430						*8,030	7,170	6.12 m
	25 ft	lb					*21,627	*21,627	*18,894	16,380						*17,703	15,807	20.08 ft
	6.0 m	kg					*10,060	*10,060	*9,010	7,400						*7,530	5,420	7.24 m
	20 ft	lb					*22,178	*22,178	*19,864	16,314						*16,601	11,949	23.75 ft
	4.5 m	kg					*12,130	11,170	*9,600	7,150	7,520	5,040				6,880	4,610	7.92 m
	15 ft	lb					*26,742	24,626	*21,164	15,763	16,579	11,111				15,168	10,163	25.98 ft
	3.0 m	kg					*13,960	10,350	*10,360	6,810	7,370	4,900				6,330	4,220	8.27 m
	10 ft	lb					*30,776	22,818	*22,840	15,013	16,248	10,803				13,955	9,303	27.13 ft
	1.5 m	kg					*14,790	9,760	10,090	6,510	7,210	4,760				6,160	4,090	8.33 m
	5 ft	lb					*32,606	21,517	22,245	14,352	15,895	10,494				13,580	9,017	27.33 ft
	0 m	kg					*14,170	9,530	9,890	6,330	7,100	4,660				6,350	4,190	8.12 m
	0 ft	lb					*31,239	21,010	21,804	13,955	15,653	10,274				13,999	9,237	26.64 ft
	-1.5 m	kg			*10,240	*10,240	*12,510	9,530	*9,680	6,280	7,100	4,660				*6,880	4,580	7.60 m
	-5 ft	lb			*22,575	*22,575	*27,580	21,010	*21,341	13,845	15,653	10,274				*15,168	10,097	24.93 ft
-3.0 m	kg					*9,730	9,680	*7,470	6,380						*6,010	5,510	6.72 m	
-10 ft	lb					*21,451	21,341	*16,469	14,065						*13,250	12,147	22.05 ft	
Boom : 5.95 m, 19'6" 2-piece Arm : 2.97 m, 9'9" Shoe : 600 mm, 24" CWT : 4,950 kg, 10,910 lb	9.0 m	kg				*7,830	*7,830									*6,870	*6,870	4.96 m
	30 ft	lb					*17,262	*17,262								*15,146	*15,146	16.27 ft
	7.5 m	kg					*7,800	*7,800	*7,460	*7,460						*5,960	*5,960	6.65 m
	25 ft	lb					*17,196	*17,196	*16,446	*16,446						*13,140	*13,140	21.82 ft
	6.0 m	kg					*7,990	*7,990	*8,300	7,510	*6,470	5,180				*5,660	4,950	7.69 m
	20 ft	lb					*17,615	*17,615	*18,298	16,557	*14,264	11,420				*12,478	10,913	25.23 ft
	4.5 m	kg			*16,230	*16,230	*11,400	11,380	*9,190	7,240	7,580	5,090				*5,640	4,270	8.33 m
	15 ft	lb			*35,781	*35,781	*25,133	25,089	*20,260	15,961	16,711	11,222				*12,434	9,414	27.33 ft
	3.0 m	kg					*13,370	10,550	*10,040	6,880	7,400	4,930				*5,820	3,930	8.66 m
	10 ft	lb					*29,476	23,259	*22,134	15,168	16,314	10,869				*12,831	8,664	28.41 ft
	1.5 m	kg					*14,620	9,860	10,140	6,540	7,210	4,760				5,750	3,810	8.73 m
	5 ft	lb					*32,232	21,738	22,355	14,418	15,895	10,494				12,677	8,400	28.64 ft
	0 m	kg					*14,490	9,520	9,880	6,320	7,080	4,640				5,890	3,880	8.52 m
	0 ft	lb					*31,945	20,988	21,782	13,933	15,609	10,229				12,985	8,554	27.95 ft
	-1.5 m	kg			*10,490	*10,490	*13,190	9,450	9,780	6,230	7,030	4,590				6,390	4,200	8.04 m
	-5 ft	lb			*23,126	*23,126	*29,079	20,834	21,561	13,735	15,498	10,119				14,088	9,259	26.38 ft
-3.0 m	kg					*10,790	9,550	*8,290	6,280						*6,120	4,930	7.20 m	
-10 ft	lb					*23,788	21,054	*18,276	13,845						*13,492	10,869	23.62 ft	
Boom : 5.95 m, 19'6" 2-piece Arm : 3.6 m, 11'10" Shoe : 600 mm, 24" CWT : 4,950 kg, 10,910 lb	9.0 m	kg														*5,510	*5,510	5.79 m
	30 ft	lb														*12,147	*12,147	19.00 ft
	7.5 m	kg							*6,460	*6,460						*4,960	*4,960	7.28 m
	25 ft	lb							*14,242	*14,242						*10,935	*10,935	23.88 ft
	6.0 m	kg							*6,830	*6,830	*6,280	5,320				*4,780	4,510	8.24 m
	20 ft	lb							*15,058	*15,058	*13,845	11,729				*10,538	9,943	27.03 ft
	4.5 m	kg			*7,580	*7,580	*8,160	*8,160	*8,090	7,400	*7,370	5,190				*4,790	3,940	8.84 m
	15 ft	lb			*16,711	*16,711	*17,990	*17,990	*17,835	16,314	*16,248	11,442				*10,560	8,686	29.00 ft
	3.0 m	kg					*12,480	10,850	*9,560	7,010	7,480	5,000	5,610	3,750		*4,970	3,640	9.16 m
	10 ft	lb					*27,514	23,920	*21,076	15,454	16,491	11,023	12,368	8,267		*10,957	8,025	30.05 ft
	1.5 m	kg					*14,170	10,040	10,240	6,620	7,260	4,800	5,510	3,650		5,310	3,520	9.22 m
	5 ft	lb					*31,239	22,134	22,575	14,595	16,006	10,582	12,147	8,047		11,707	7,760	30.25 ft
	0 m	kg			*6,890	*6,890	*14,630	9,560	9,910	6,340	7,080	4,640	5,430	3,580		5,410	3,570	9.03 m
	0 ft	lb			*15,190	*15,190	*32,254	21,076	21,848	13,977	15,609	10,229	11,971	7,893		11,927	7,870	29.63 ft
	-1.5 m	kg			*10,640	*10,640	*13,860	9,380	9,740	6,190	6,990	4,550				5,790	3,810	8.57 m
	-5 ft	lb			*23,457	*23,457	*30,556	20,679	21,473	13,647	15,410	10,031				12,765	8,400	28.12 ft
-3.0 m	kg			*15,820	*15,820	*11,980	9,410	*9,120	6,180	*6,730	4,570				*6,220	4,360	7.79 m	
-10 ft	lb			*34,877	*34,877	*26,411	20,745	*20,106	13,625	*14,837	10,075				*13,713	9,612	25.56 ft	
-4.5 m	kg					*8,710	*8,710	*6,450	6,330								6.59 m	
-15 ft	lb					*19,202	*19,202	*14,220	13,955								21.62 ft	

Notes: 1. Machine in "Fine Mode-F" (Power Boost) for lifting capacities. 2. The above loads are in compliance with SAE J1097 and ISO 10567 Hydraulic Excavator Lifting Capacity Standards. 3. Rated loads do not exceed 87% of hydraulic lifting capacity or 75% of tipping load. 4. Rated loads marked with an asterisk (*) are limited by hydraulic capacity rather than tipping load.

Equipment

STANDARD EQUIPMENT

Engine

Turbocharged, 4 stroke diesel engine with water cooling, direct injection and charged air cooler that meets EU Stage V requirements
Air filter with indicator
Air intake heater
Cyclone precleaner
Electric engine shutoff
Fuel filter and water separator
Delayed engine shutdown
Alternator, 80 A
Quick engine oil change system

Electric / Electronic control system

Advanced mode control system
Selfdiagnostic system
Machine status indication
Engine speed sensing power control
Automatic idling system
Onetouch power boost
Safety stop/start function
Adjustable LCD color monitor
Master electrical disconnect switch
Engine restart prevention circuit
Highcapacity halogen lights:
- Frame-mounted 2
- Boom-mounted 1
Extra work lights(Halogen) :
Cab-mounted 3
Boom-mounted 1
Batteries, 2 x 12 V / 170 A
Start motor, 24 V / 5.5 kW
Travel alarm

Frame

Access way with handrail
Tool storage area
Punched metal antislip plates
Counterweight:
10,910 lb
13,670 lb -Long Reach

Undercarriage

Undercover (heavyduty)
Hydraulic track adjusters
Greased and sealed track link
Track Guard

Hydraulic system

Boom up swing priority function
Boom travel priority function (Creep)
Boom down speed control
Attachment management system (up to 32 programmable memories)
- Variable flow and pressure pre-setting
Hammer & shear, 2 pump flow
Additional return filter (Hammer & shear piping)
Boom float function without HRV
Straight travel pedal
Automatic sensing hydraulic system
Summation system
Boom priority
Arm priority
Swing priority
ECO mode fuel saving technology
Boom, arm and bucket regeneration valves
Swing antirebound valves
Boom and arm holding valves
Multistage filtering system
Cylinder cushioning
Cylinder contamination seals
Auxiliary hydraulic valve
Automatic twospeed travel motors
Hydraulic oil, ISO VG 46
Quick coupler piping
Quick hydraulic oil fill connection

STANDARD EQUIPMENT

Cab and interior

ROPS (ISO121172) certified cab
Opening top hatch
Silicon oil and rubber mounts with spring
Travel pedals and hand levers
Adjustable operator seat and joystick control console
Heater & airconditioner, automatic
Flexible antenna
Radio with MP3 & USB Jack with bluetooth
Hydraulic safety lock lever
Cab, allweather sound suppressed, includes:
Cup holders
Door locks
Tinted glass
Floor mat
Horn
Large storage area
Pullup type front window
Removable lower windshield
Seat belt
Safety glass
Sun screens, front, roof, rear
Rain shield
Windshield wiper with intermittent feature
Volvo smart view
Master key

Track shoes

32" with triple grousers

Digging equipment

Linkage with lifting eye
Boom: 19'8" monoblock
Arm: 9'9"
Arm: 25'9", Long Reach
Boom: 33'6" monoblock, Long Reach
Manual centralized lubrication

Machine controls

Dig Assist
Volvo Active Control (Semi-autonomous)

OPTIONAL EQUIPMENT

Engine

Block heater: 120 V, 240 V
Oil bath pre-cleaner
Diesel coolant heater, 10 kW
Water separator with heater
Auto engine shutdown
Reversible fan
Fuel filler pump: 13.2 gpm, with automatic shutoff

Electric

Extra work lights(LED):
Cab-mounted 3
Boom-mounted 1
Counterweight-mounted 1
Green light beacon
Anti-theft system
Rotating warning beacon
Smart connect for tilt rotator
Tilt rotator 3rd gen
Dig assist, smart connect

Undercarriage

Full track guard
Track shoes
24/28/36" with triple grousers
24" HD with triple grousers
24/28" with double grousers
High walker undercarriage

OPTIONAL EQUIPMENT

Hydraulic system

CDC, Comfort Driving Control
Hose rupture valve: boom & arm
Overload warning device
Boom float function with HRV
Hydraulic piping:
- Slope & rotator
- Grapple
- Oil leak (drain) line
Volvo hydraulic quick coupler S1
Volvo hydraulic quick coupler S2
Volvo hydraulic quick coupler U25
Volvo hydraulic quick coupler SQ70 55
Volvo hydraulic quick coupler SQ70
Hydraulic oil, biodegradable 46
Hydraulic oil, longlife oil 32
Hydraulic oil, longlife oil 46
Fuel tank-fast fuel fill prep
Hammer & shear, 1 pump flow
3 way selection valve

OPTIONAL EQUIPMENT

Cab and interior

High visibility cabin
Fabric seat with heater
Fabric seat with heater and air suspension
Deluxe seat
High-strength one piece front windshield (P5A)
Falling object guard, FOG (fixed type or hinge type)
Frame-mounted
Cab-mounted
Cab-mounted falling object protective structure (FOPS)
Side view camera
Smoker kit (ashtray and lighter)
Safety net for front window
Lower wiper with intermittent control
Anti-vandalism kit
Air pressure supply in cabin
Rear view camera
Control joysticks with 4 switches
Propotional joysticks with 3 switches

Digging equipment

Boom: 19'8" monoblock, heavy duty
Arm: 8'2" HD, 9'9" HD, 11'10"
Arm: 25'9", long reach
Boom: 33'6" monoblock, long reach

Service

Tool kit, daily maintenance
Tool kit, full scale
Automatic lubrication system

Other

Hybrid: Please refer to separate Brochure for more details

SELECTION OF VOLVO OPTIONAL EQUIPMENT**Deluxe seat****Hybrid****Reversible cooling fan****TiltRotator****Oil drain line****High-visibility cab**

Not all products are available in all markets. Under our policy of continuous improvement, we reserve the right to change specifications and design without prior notice. The illustrations do not necessarily show the standard version of the machine.

V O L V O